

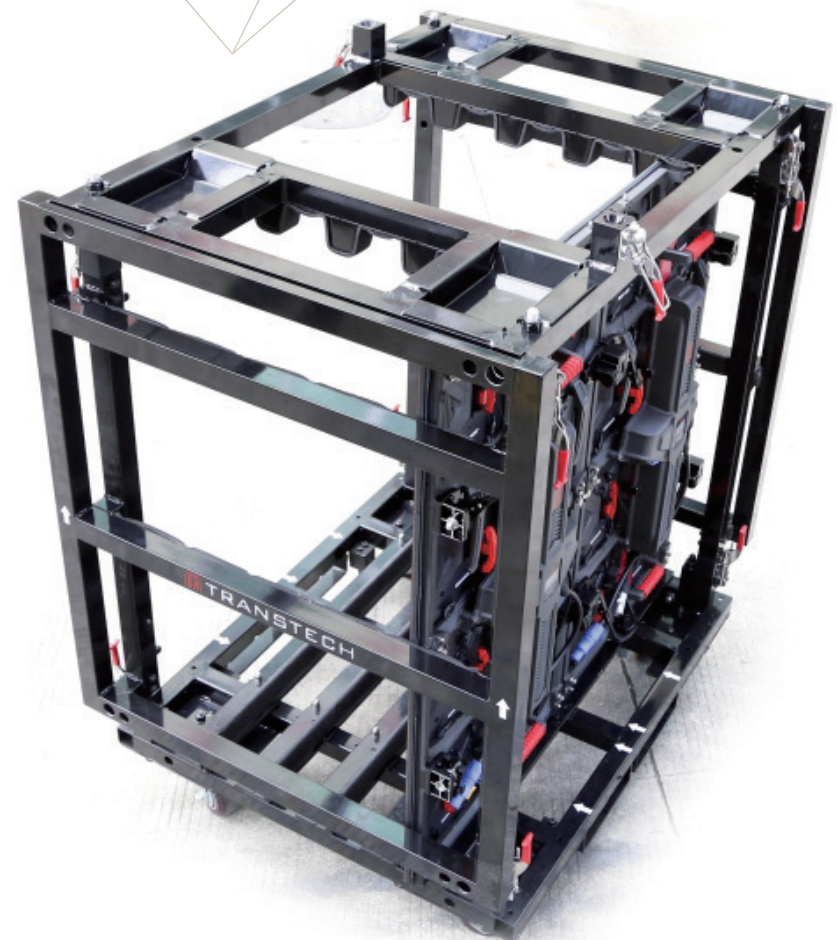


**Luna** Turnkey solutions for media displays..

# Luna

Size	1097*852*1304(L*W*H)
Weight	90Kg
Max.Capacity	10Pcs(5*2)
Material	Aluminum and Iron

LED Panels packed by, convenient for transportation and easy to build big screens.



# Luna 500x500

		Indoor series			Outdoor series					
		P2.8	P 3.9	P4.8	P3.9-1	P3.9-2	P4.81-1	P4.81-2	P5.95-1	P5.95-2
LAMP	LED Type	SMD1515 SMD2020 (optional)	SMD2020		SMD1921 WHITE	SMD1921 BLACK	SMD2727 WHITE	SMD2727 BLACK	SMD2727 WHITE	SMD2727 BLACK
	Item code	PR-Sc-lun2.8-14	PR-Sc-lun3.9-15	PR-Sc-lun4.8-16	PR-Sc-lun3.9-1-17	PR-Sc-lun3.9-2-18	PR-Sc-lun4.8-1-19	PR-Sc-lun4.8-2-20	PR-Sc-lun5.9-1-21	PR-Sc-lun5.9-2-22
MODULE	Pixel Pitch (mm)	2.841	3.906	4.808	3.906		4.808		5.952	
	Pixel density / sqm	123904	65536	43264	65536		43264		28224	
	Module size (WXH)	250x250			250x250					
	Module Resolution	88x88	64x64	52x52	64x64		52x52		42x42	
CABINET	Module layout	2x2			2x2					
	Cabinet size (WxHxD)	500x500x90			500x500x90					
	Cabinet Resolution	176x176	128x128	104x104	128x128		104x104		84x84	
	IP (front/rear)	IP30/IP30			IP65/IP65					
	Serviceability	Front/rear			Front/rear					
	Cabinet Weight/sqm	26kg			26kg					
DISPLAY	Power	AC 120/208±10%			AC 120/208±10%					
	Brightnws (nits)	1,000nit	1,200nit		5,000nit	4,000nit	5,000nit	4,000nit	5,000nit	4,000nit
	Contrast ratio	4,000:1			3,000:1	4,000:	3,000:1	4,000:	3,000:1	4,000:
	Max Power Consumption/cabinet	155W	140W		170W	230W	145W	195W	135W	195W
	Avg.Power consumption/cabinet	50-75W	48-70W		57W	77W	72W	65W	67W	65W
	Temperature/Humidity(Operatiion/storage)	-10°C to +40°C; 10% to 90%			-10°C to +40°C; 10% to 90%					
	Refresh rate(HZ)	1920-3840			1920-3840					
	Frame rate (HZ)	60HZ			60HZ					
	Gray scale	14 bit	16 bit		16 bit					
	Colors	4,39trillion	281trillion		281trillion					
	Viewing angle (H/V)	140°/140°			140°/120°					
Lifetime	80,000hours			80,000hours						

# Luna 500x1000

MODEL		Indoor series			Outdoor series			
		R 2.8	R 3.9	R 4.8	R 3.9	R 4.8	R5.9	R7.8
LAMP	LED Type	SMD(1515) SMD(2020)	SMD2020	SMD2020	SMD(1921)	SMD(2727)	SMD(2727)	SMD(2727)
	Item code	PR-Sc-lun2.8-23	PR-Sc-lun3.9-24	PR-Sc-lun4.8-25	PR-Sc-lun3.9-1-26	PR-Sc-lun4.8-1-27	PR-Sc-lun5.9-28	PR-Sc-lun7.8-29
MODULE	Pixel pitch	2.841mm	3.906mm	4.808mm	3.906mm	4.808mm	5.952mm	7.81mm
	LED module size	250x250mm			250x250mm			
	Resolution(HxW)	88x88	64x64	52x52	64x64	52x52	42x42	32x32
	LED driving method	1/22 dynamic scan	1/16 dynamic scan	1/13 dynamic scan	1/8 dynamic scan	1/9 dynamic scan	1/7 dynamic scan	1/4 dynamic scan
CABINET	LED module layout(HxW)	4x2			4x2			
	Resolution(HxW)	352x176	256x128	208x104	256x128	208x104	168x84	128x64
	Cabinet area	0.5m <sup>2</sup>			0.5m <sup>2</sup>			
	Cabinet size(HxWxL)	1000x500x105mm			1000x500x105mm			
	Cabinet weight/sqm	22kg	21kg	21kg	24kg			
	Ingress Protection	Front IP30/Rear IP30			Front IP65/Rear IP65			
	Power	AC 240/100±10%			AC 240/100±10%			
	Serviceability	Front & Rear service			Front & Rear service			
DISPLAY	Max.Power consumption/cabinet	310W	280W	260W	460W(BLACK) 340W(WHITE)	390W(BLACK) 290W(WHITE)	390W(BLACK) 270W(WHITE)	350W(BLACK) 260W(WHITE)
	Avg.Power consumption/cabinet	100-150W	95-140W	85-130W	153W(BLACK) 113W(WHITE)	130W(BLACK) 97W(WHITE)	130W(BLACK) 90W(WHITE)	117W(BLACK) 87W(WHITE)
	Viewing Angle(H/V)	140°/140°			140°/140°			
	Brightness	1000cd/m <sup>2</sup>	1200cd/m <sup>2</sup>	1200cd/m <sup>2</sup>	4000cd/m <sup>2</sup> (BLACK) 5000cd/m <sup>2</sup> (WHITE)	4000cd/m <sup>2</sup> (BLACK) 5000cd/m <sup>2</sup> (WHITE)	4000cd/m <sup>2</sup> (BLACK) 5000cd/m <sup>2</sup> (WHITE)	4000cd/m <sup>2</sup> (BLACK) 5000cd/m <sup>2</sup> (WHITE)
	Pixel density(pixel/sqm)	123,904	65,536	43,264	65,536	43,264	28,224	16,384
	Contrast ratio	4,000:1			4,000:1(BLACK)		3000:1(WHITE)	
	Temperature/ Humidity(Operation/Storage)	-10°C to +40°C 10% to 90%;			-10°C to +40°C; 10% to 90%			
	Lifetime(50% brightness)		80,000hours		80,000hours			
	Processing	14bit	16bit	16bit	16bit			
	Colors				281trillion			
	Refresh rate	≥2880Hz			≥2880Hz			
	Frame rate	60fps			60fps			
	Brightness level	Manually/Auto/Programmable			Manually/Auto/Programmable			

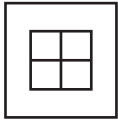
# LUNA

## ALL NEW RENTAL SERIES

Indoor series: P2.8/P3.9/P4.8

Outdoor series: P3.9/P4.8/P5.9/P7.8

Achieve curvilinear splicing with different angle adjustment blocks



Seamless  
Splicing



Multi-angles  
Splicing

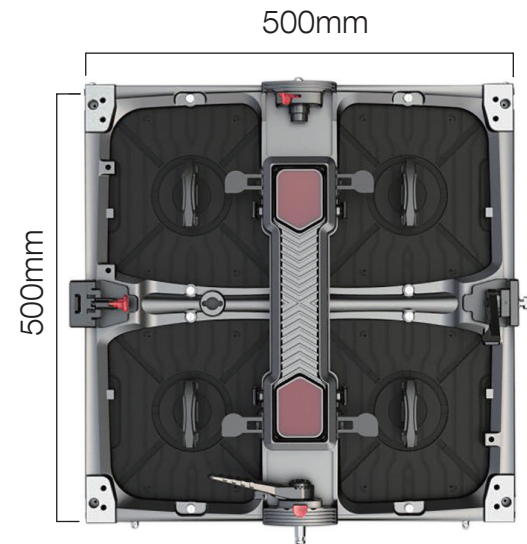
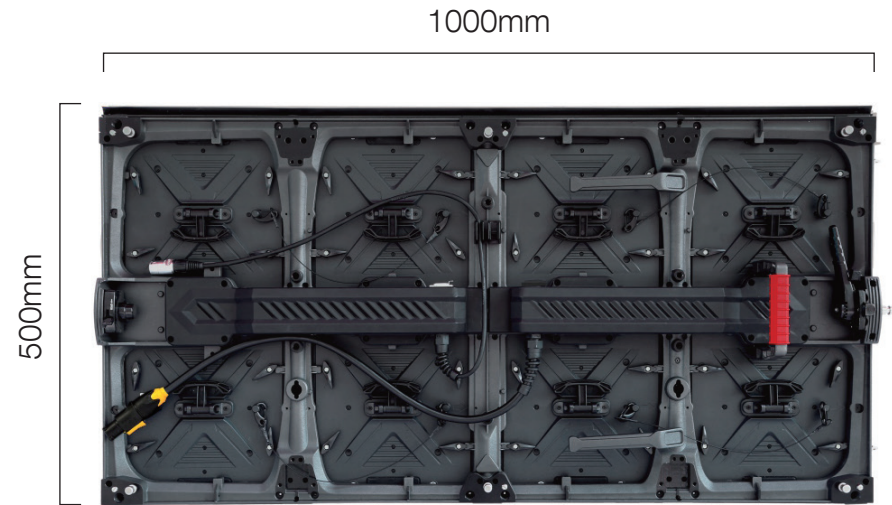


Light-weight  
Design



Environmental  
Protection

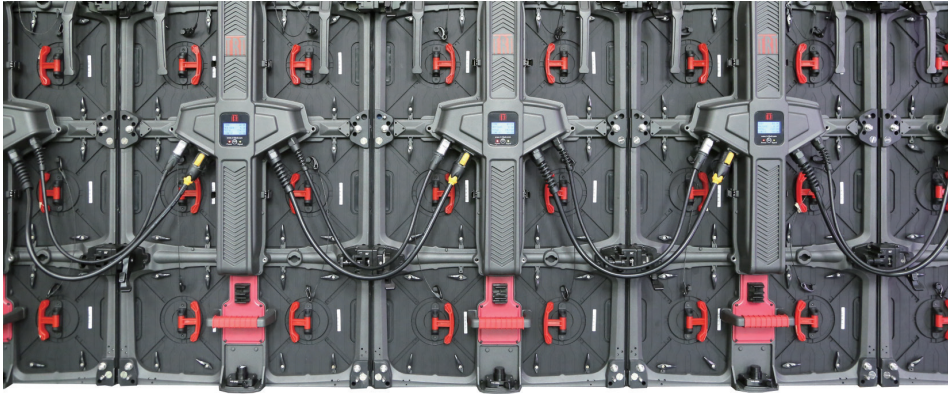
- Bone structure enables module & power box dismantle easier & quicker
- Air sucker front service makes maintenance easier and screen lighter comparing with magnet service cabinet
- IP 65 for both front & rear
- Vertical automatic quick lock enables oneman-operation possible
- Bottom edge protection
- Ultra-light design, one cabinet Max.13kg
- Auto quick vertical lock free your hands for installation
- Unique adoption of ratchet lock to ensure the latch is safe & tight





# References

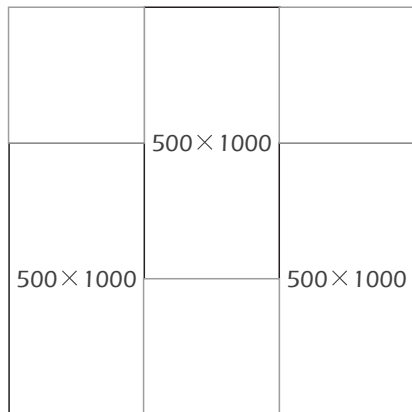
---



Achieved seamless splicing into one screen with Luna 500x500 and 500x1000

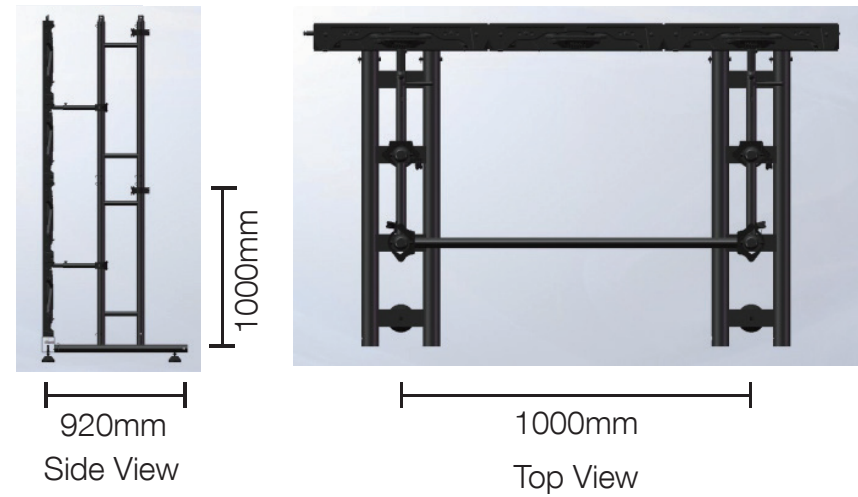
With locks at two ends, dolly can be locked up one by one.

## Capable of different size splicing



Two different size cabinets  
joint into one large display

## Stacking system



## Stacking installation

---



Luna can achieve fast & simple installation for stacking application.

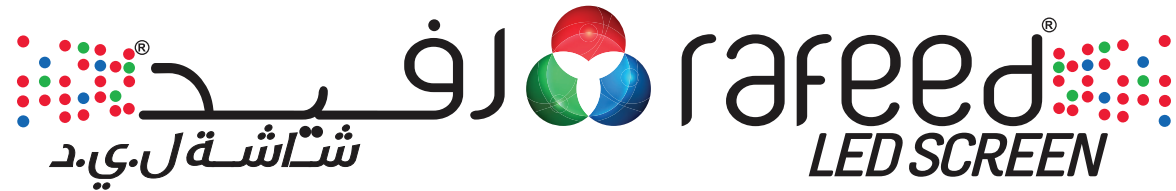
## Front & rear service

---



- Power pack can be quickly installed or removed from front&rear.
- Plug-in signal and power transmission between modules makes easier and quicker installation.





 AtcLighting

This catalogue is property for RAFEED CO.  
All rights reserved  
ISSUE NO.1 2019 - 2020  
For more information visit  
[www.rafeed.co](http://www.rafeed.co)

للخبرة المثالية زيارة موقعنا على الإنترنت  
[www.atclighting.co](http://www.atclighting.co)  
© 2012 شركة التكنولوجيا العربية للإنارة  
دبي الإمارات العربية المتحدة  
العلامات التجارية هي ملكية خاصة لشركة التكنولوجيا العربية  
للإنارة أو إلى أصحابها.



For an optimal experience visit our  
web site [www.atclighting.co](http://www.atclighting.co)  
© 2012 Arabic Technology Company  
for lighting Dubai UAE  
Trademarks are the property of Arabic  
Technology Company or their respective owners.